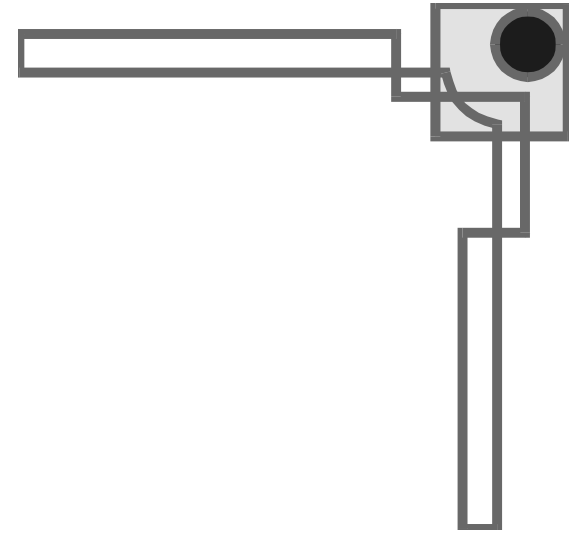
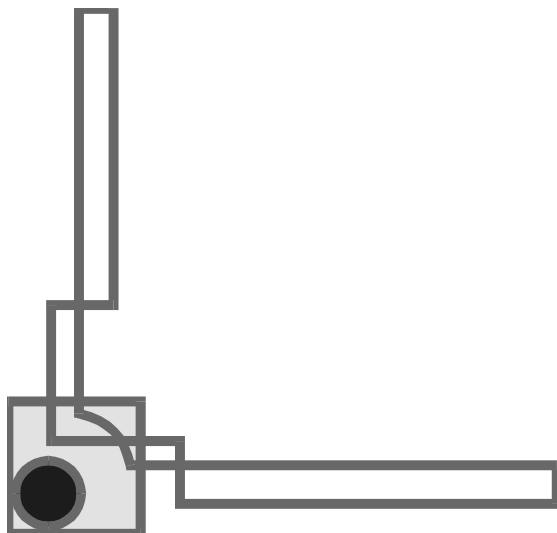


# Classic Mistake N°40



$$5 \left( \frac{4x}{3} \right) = \frac{20x}{15}$$

**X**



"Cancelled Out"