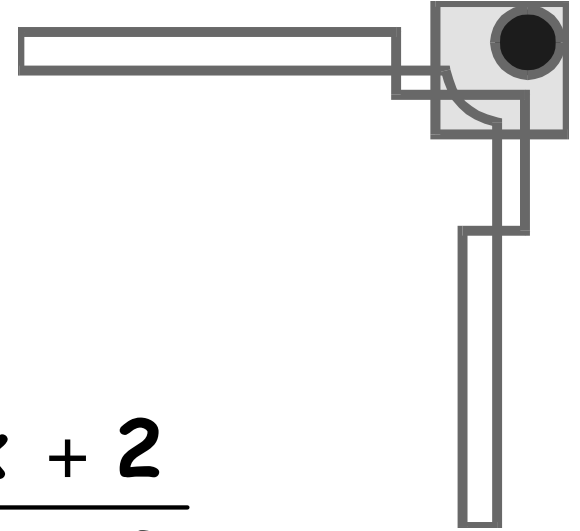


# Classic Mistake N°36



$$\begin{aligned} \frac{x^2 + 3x + 2}{x^2 + 4x + 3} &= \frac{\cancel{x^2} + 3x + 2}{\cancel{x^2} + 4x + 3} \\ &= \frac{\cancel{3x} + 2}{\cancel{4x} + 3} \\ &= \frac{2}{x + 3} \end{aligned}$$

**X**

"Cancel Crazy"

