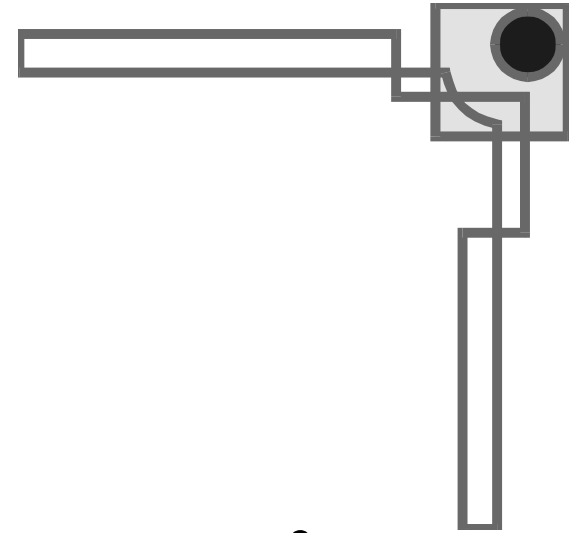


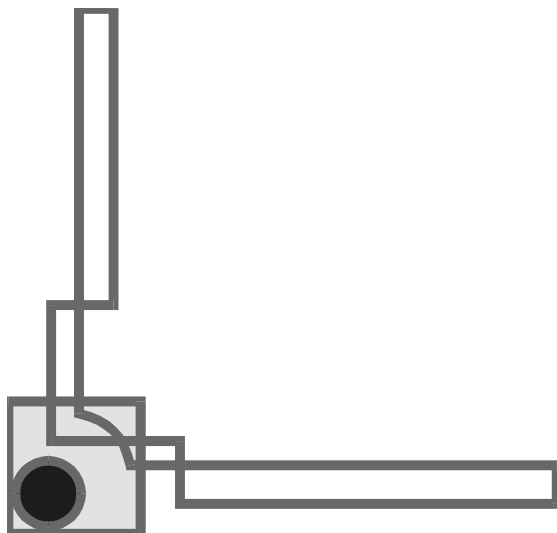
# Classic Mistake N°27



$$\text{meal} \times \text{meal} = 2\text{meal}$$

$$y \times y = 2y$$

**X**



"A Square Meal"