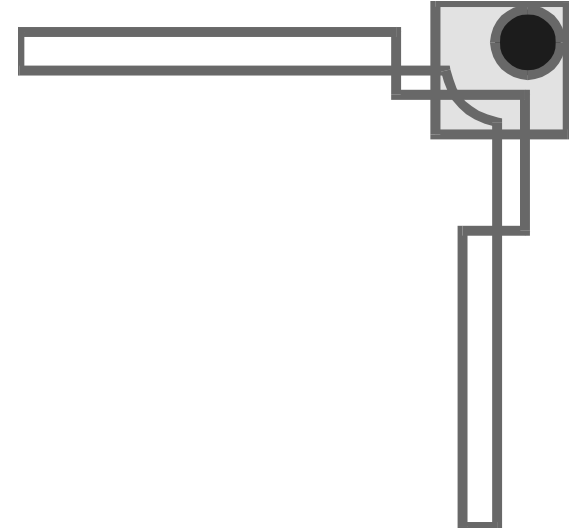
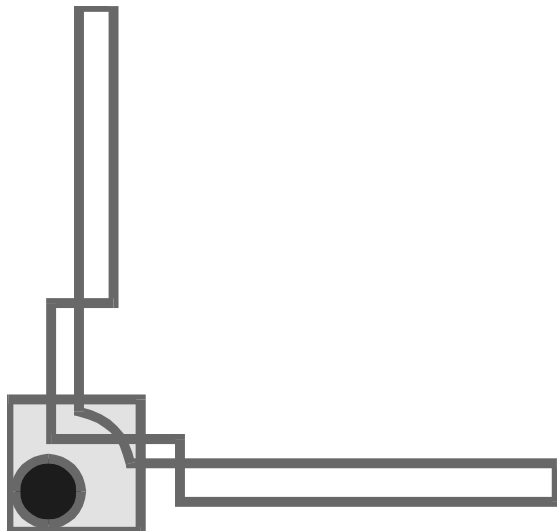


# Classic Mistake N°12



$$1 \times 1 = 2$$

X



"Double or Quits"