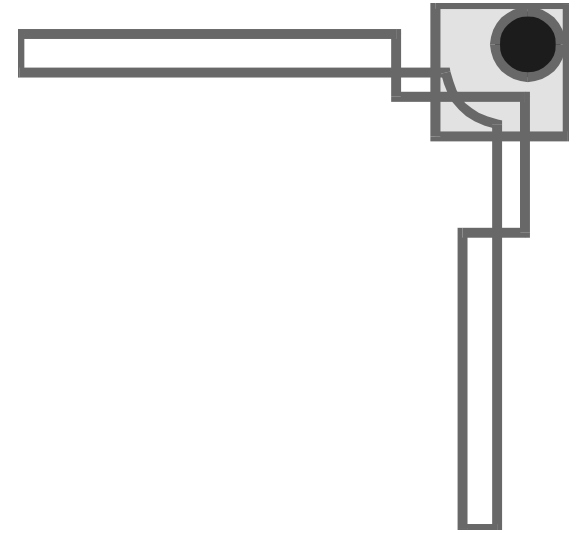
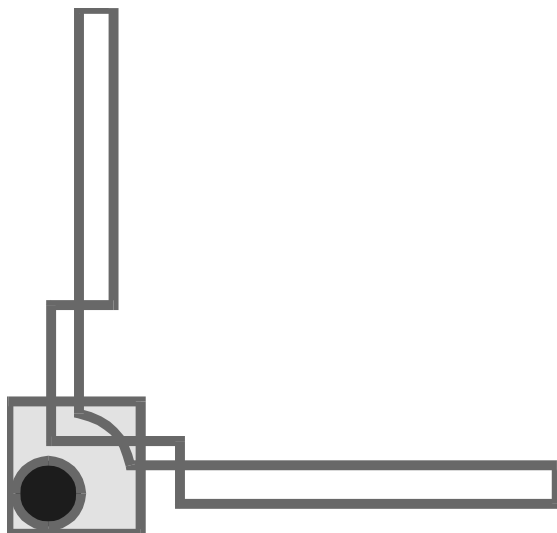


Classic Mistake N°3



$$4 \times 5 = 20 \times 6 = 120 \div 2 = 60$$

X



"Unequal Equals"